



OPERATOR'S MANUAL

SPYDSB-9G Drop-In Sprayer with 62" Boom



Spyker Spreaders

Contact us at 800.972.6130

www.spyker.com

▲ IMPORTANT

**This manual contains information for the safety of persons and property.
Read it carefully before assembly and operation of the equipment!**

TABLE OF CONTENTS

Safety 2
 Parts 3-8
 Assembly 9-11

Use and Care


Operation & Maintenance 12
 Initial Start-Up & Pressure 12
 Battery Recharging 13
 Spray Nozzle Settings 13
 Calibration 14
 Troubleshooting 15
 Accessories 16

Warranty 18

OPERATE SAFELY

Read Before Using:

Pesticides can cause personal injury and harm the environment when used improperly. Be sure to follow label recommendations concerning safety and disposal.

	<i>Observe all safety precautions including wearing of protective clothing and equipment.</i>
---	---

COMPATIBILITY

The SPYDSB-9G is designed to fit the following spreaders:

LESCO	<ul style="list-style-type: none"> • 101186 • 105821 • HPS Chariot
--------------	---

SPYKER	<ul style="list-style-type: none"> • S100-12011
---------------	--

SET-UP PROCEDURE

The SPYDSB-9G was pressure tested prior to shipment. Some components were disassembled for packaging and shipment. The basic set-up procedure is as follows:

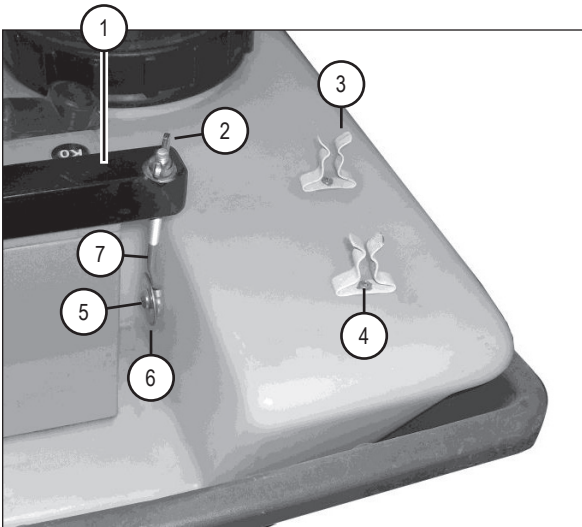
- Remove the spray wand from inside the tank.
- Remove all contents from the box.
- Cut the plastic ties holding the boom sections together.
- Report any missing or damaged items to your dealer immediately.

NOTE: The pink liquid residue in the tank is RV antifreeze. Flush out the tank before use.

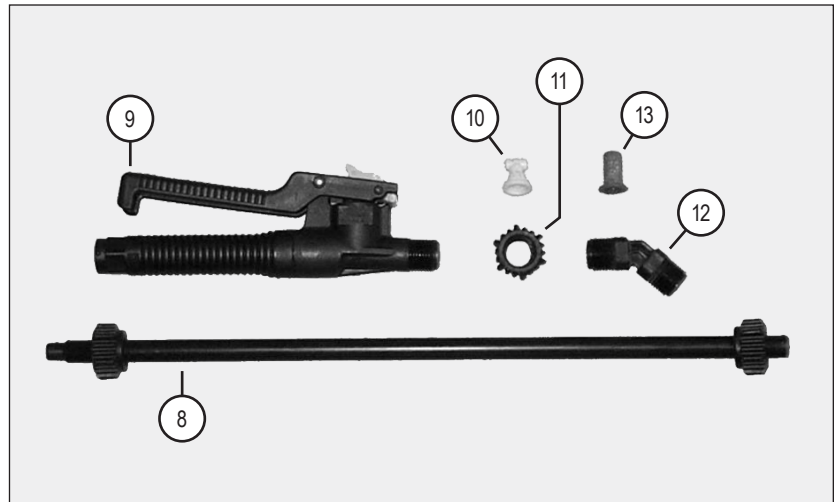
Parts

DO NOT RETURN PRODUCT IF YOU ARE MISSING PARTS. PLEASE CALL: 1 (800) 972-6130

BATTERY AND SPRAY WAND MOUNTING HARDWARE



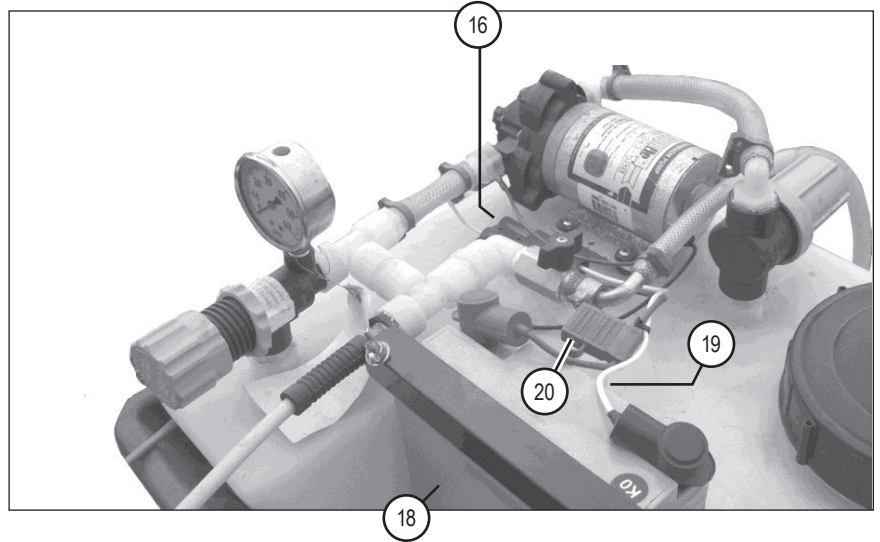
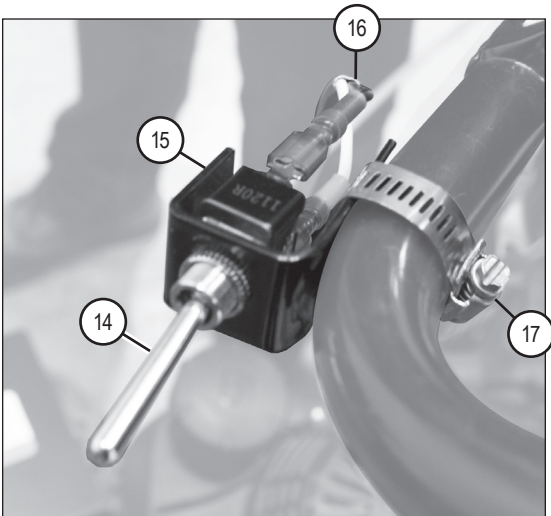
SPRAYER HANDLE WAND PARTS



No.	Part #	Qty	Description
1	1019634	1	Angle Bracket
2	1019635	2	Wing Nut
3	1019636	2	Mounting Clip
4	1019637	2	Screw #6 x 1/2"
5	1019638	2	Pan Head Screw
6	1019639	2	Fender Washer
7	1019640	2	Eye Bolt
	1019641*	2	Eye Bolt *Optional Alternate (H.C. Battery)
8	1019691	1	Extension Wand
9	1019692	1	Trigger Jet Valve
10	1019693	1	Turbo TeeJet Nozzle Tip
11	1019694	1	Cap Nut
12	1019695	1	Angle Adapter
13	1019696	1	50 Mesh Screen



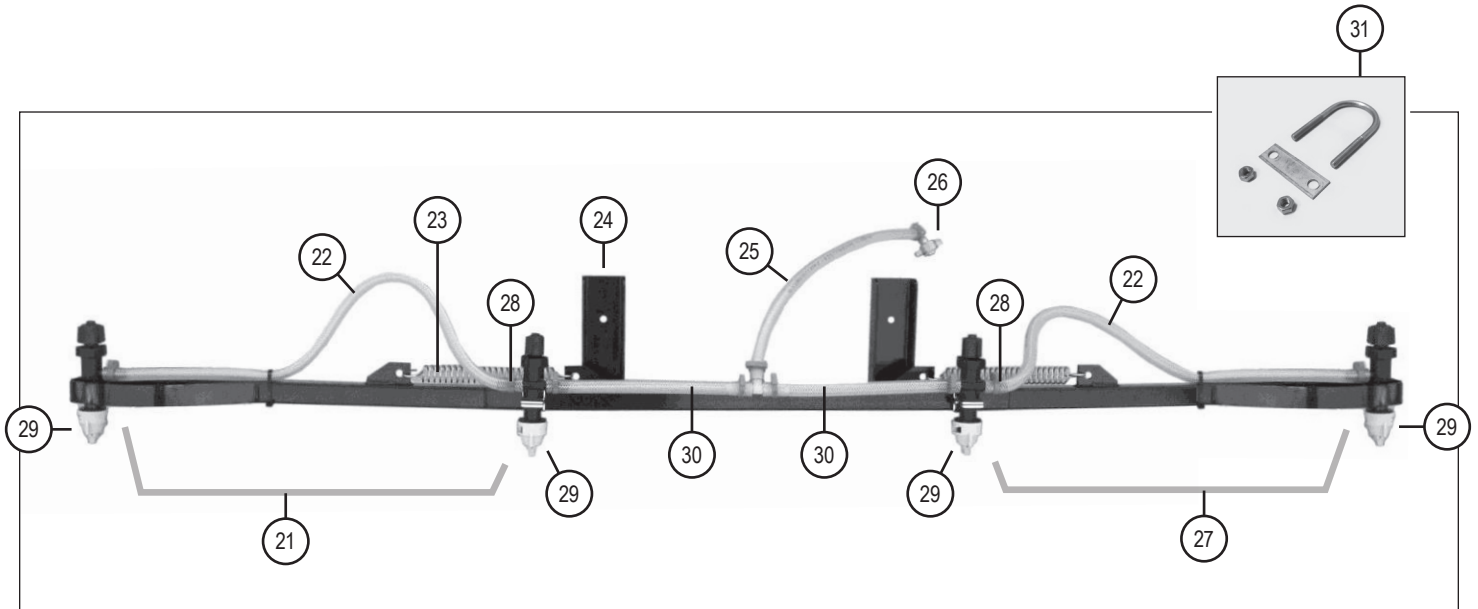
ELECTRICAL COMPONENTS



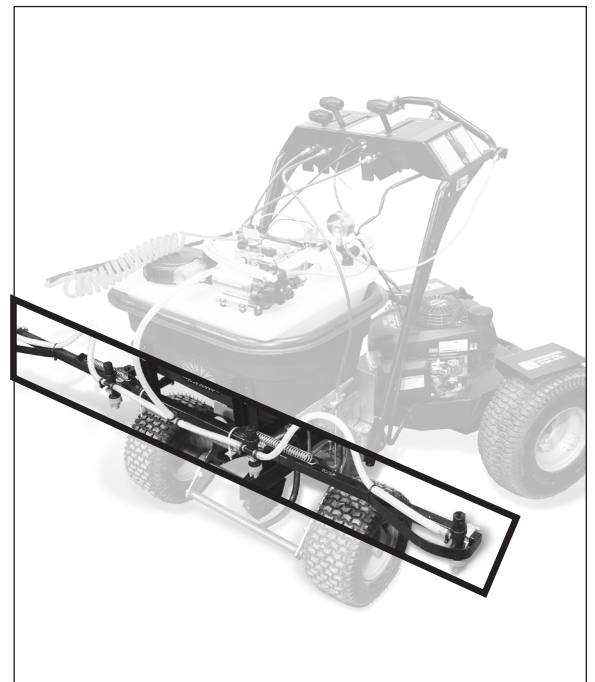
No.	Part #	Qty	Description
14	1019642	1	Toggle Switch
15	1019643	1	Switch Bracket
16	1019644	1	Pump / Switch Wiring Assembly
17	1019645	1	Screw Clamp
18	1019646	1	Battery
	1019647	1	Battery <i>*High Capacity</i>
19	1019648	1	Battery Wiring Assembly
	1019649*	1	Battery Wiring Assembly <i>*Optional H.C. Battery</i>
20	1019650	1	Fuse Holder
N/A	1019651	1	20 Amp Fuse



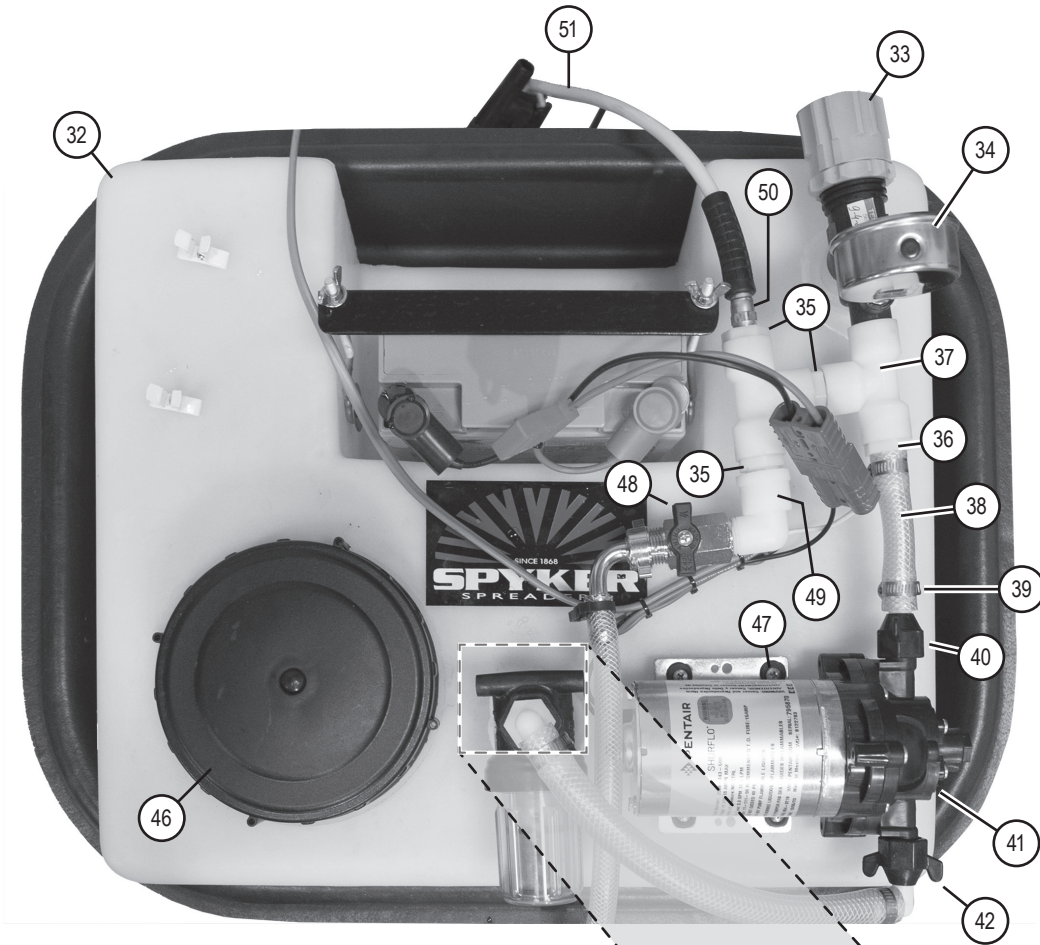
BOOM COMPONENTS DIAGRAM



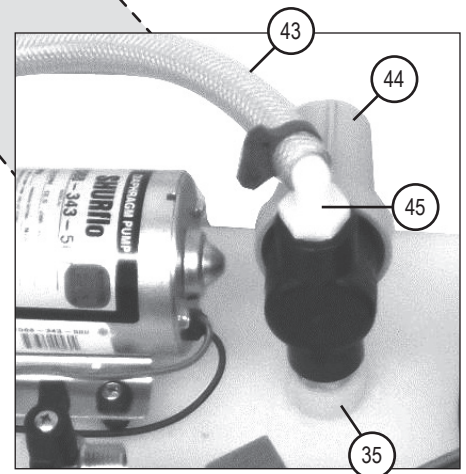
No.	Part #	Qty	Description
21	1019697	1	Right Boom Section
22	1019698	2	Hose, 3/8" ID x 24"
23	1019699	2	Spring, Stainless Steel
24	1019700	1	Center Boom Section
25	1019701	1	Hose, 3/8" ID x 21"
26	1019661	1	Hose Barb Wing Nut Assy. 3/8"
27	1019702	1	Left Boom Section
28	1019703	2	Hinge Bolt, Lock Nut, 3/8"
29	1019704	4	Nozzle Assembly, <i>See Page 8</i>
30	1019705	2	Hose, 3/8" ID x 9"
31	1019618	1	Bag; U-Bolts and Nylon Locknuts



TANK & PLUMBING



No.	Part #	Qty	Description
32	1019662	1	Poly Tank, 9 Gallon
33	1019663	1	Regulator
34	1019664	1	0-60 SS Liquid Filled Gauge
35	1019665	4	1/2" Close Nipple Hex
36	1019666	4	1/2" MPT x 1/2" Barb <i>(NOTE: Two of the four Barbs are not visible in this photo as they are located inside the tank)</i>
37	1019668	2	1/2" Female Tee



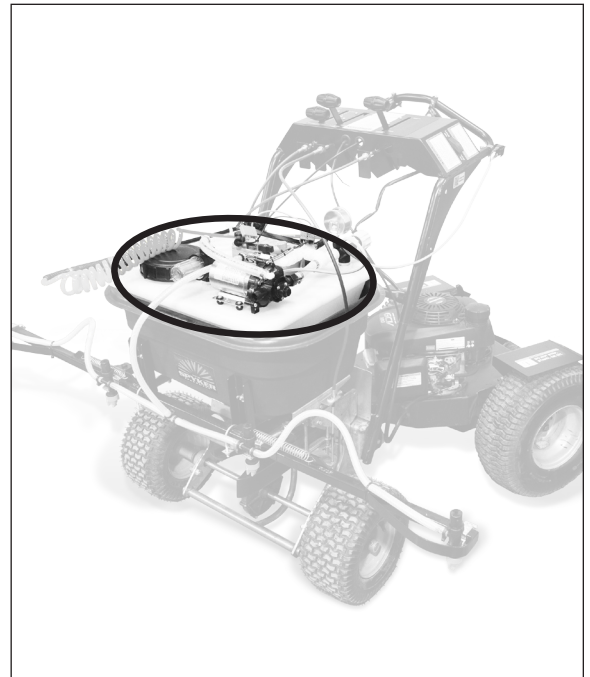
(Part list continues on page 7)

Part Explosions

DO NOT RETURN PRODUCT IF YOU ARE MISSING PARTS. PLEASE CALL: 1 (800) 972-6130

TANK & PLUMBING

No.	Part #	Qty	Description
38	1019669	1	Clear Braid Hose 1/2" ID x 3.5"
39	1019670	4	Easy Seal Clamp For 1/2" ID Hose
40	1019671	1	1/2" FPT x 1/2" Barb Straight Swivel
	1019672	1	1/2" ORS x 1/2" Barb Straight <i>*Optional Part</i>
41	1019673	1	Shurflo Pump 3 Gpm
	1019674	1	FloJet Pump, 5 GPM <i>*Optional Part</i>
42	1019675	1	1/2" FPT x 1/2" Barb Elbow Swivel
	1019676	1	1/2" ORS x 1/2" Barb Elbow <i>*Optional Part</i>
43	1019677	1	Clearbraided Hose 1/2" ID x 10"
44	1019713	1	Strainer 1/2" 50 Mesh, with cover
45	1019681	1	1/2" MPT x 1/2" Barb Elbow
46	1019682	1	6" Female Tank Lid With Vent
47	1019683	4	# 10-24 x 1" SS Machine Screw
48	1019684	1	Ball Valve 1/2" FPT x 1/2" MPT
49	1019685	1	1/2" Street Ell
50	1019686	1	1/2" x 1/4" NPT Reducer Bushing
51	1019687	1	Retractable Hose 1/4" x 10'



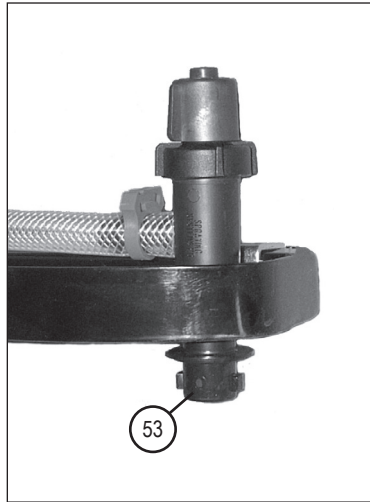
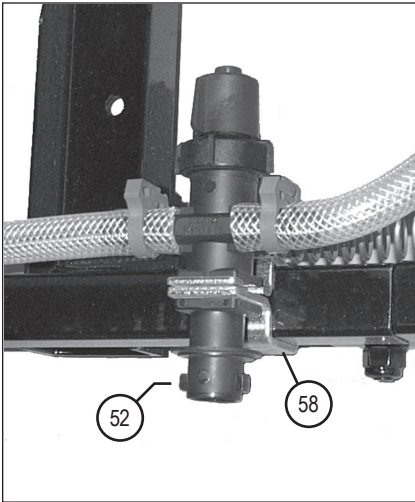
Not Illustrated:

N/A	1019714	1	50 Mesh Screen
N/A	1019715	1	Strainer Bowl Gasket
N/A	1019688	1	Hose 1/2" ID x 15" (<i>Inside Tank, Suction Line</i>)
N/A	1019689	1	Hose 1/2" ID x 16" (<i>Inside Tank, Return Line</i>)
N/A	1019690	1	Screw Clamp, SS (<i>Inside Tank, Suction Line</i>)

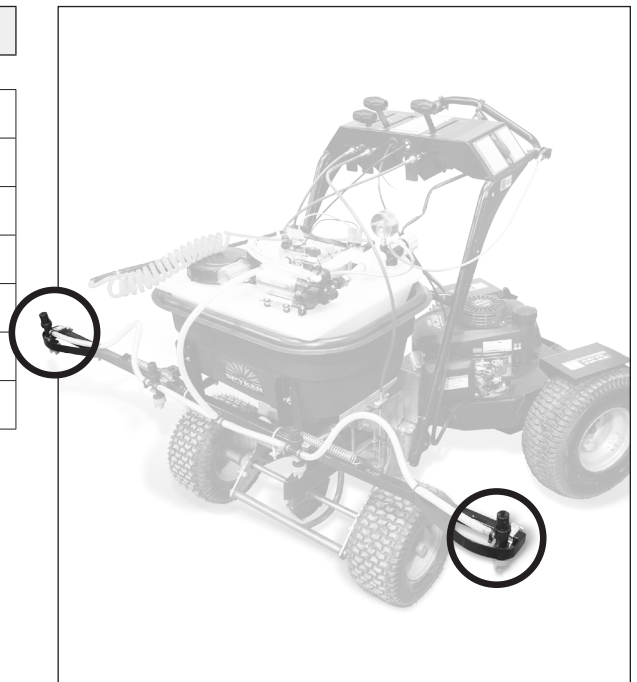
Part Explosions

DO NOT RETURN PRODUCT IF YOU ARE MISSING PARTS. PLEASE CALL: 1 (800) 972-6130

NOZZLE ASSEMBLY



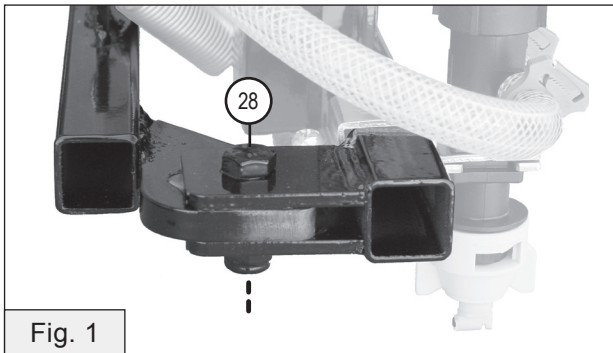
No.	Part #	Qty	Description
52	1019706	2	Dripless Nozzle Body, Double w/ Cap
53	1019707	2	Dripless Nozzle Body, Single w/ Cap
54	1019708	4	Turbo TeeJet Air Induction Nozzle
55	1019709	4	Quickjet Cap
56	1019710	4	Screen
57	1019711	4	Washer
58	1019712	4	Vari-spacing Clamp



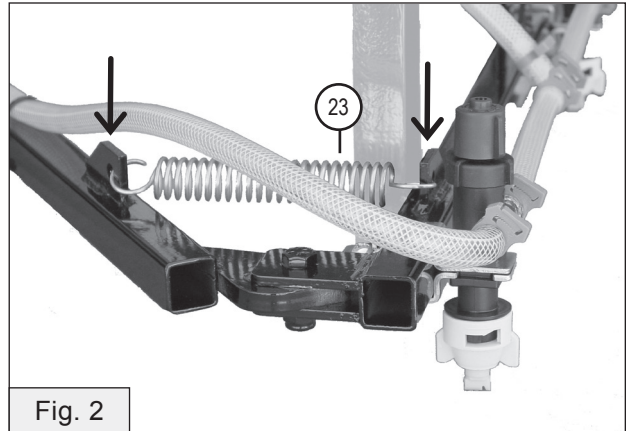
Assembly

1. Utilizing the holes illustrated here, align the boom arms to the center section. Attach using the 3/8" hinge bolts and locknuts (28).

NOTE: Do not tighten fully! Allow movement.



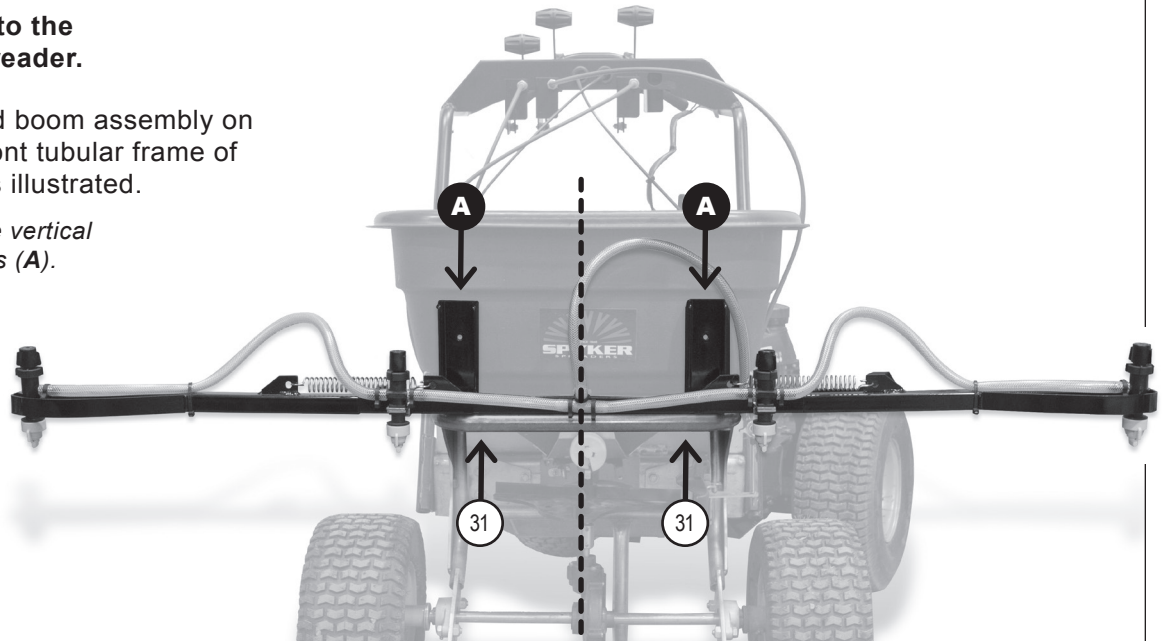
2. With the boom arms folded closed, install the springs (23) on the spring mounting tabs.



3. **Add the boom to the front of the spreader.**

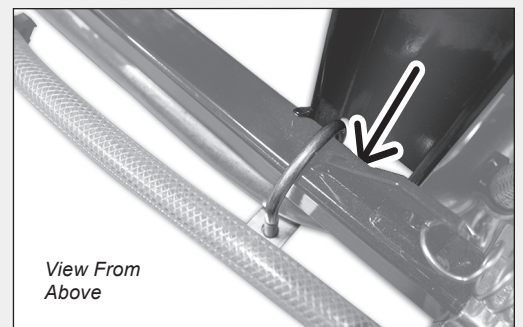
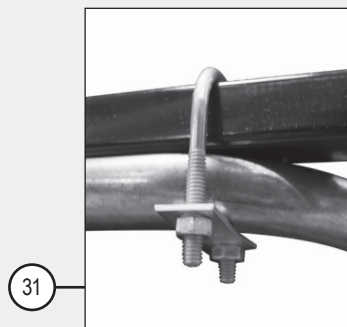
Rest the opened boom assembly on the extended front tubular frame of the spreader, as illustrated.

NOTE: Center the vertical mounting brackets (A).



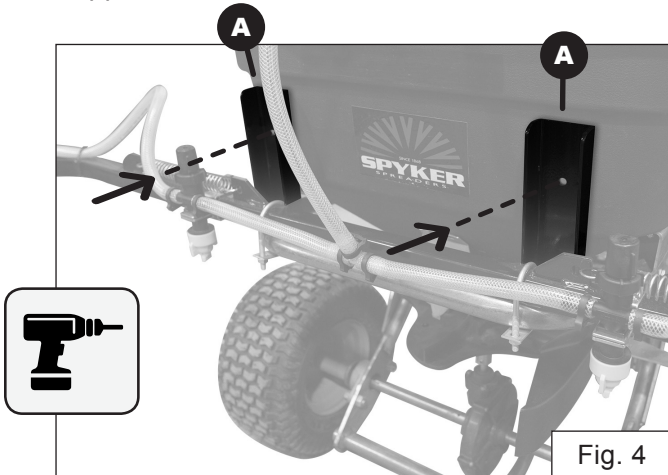
Bolt the boom to the spreader frame using hardware from the provided U-bolt bag (31).

NOTE: When viewed from above, be mindful that the U-bolt must pass through the opening of the vertical mounting brackets (A).



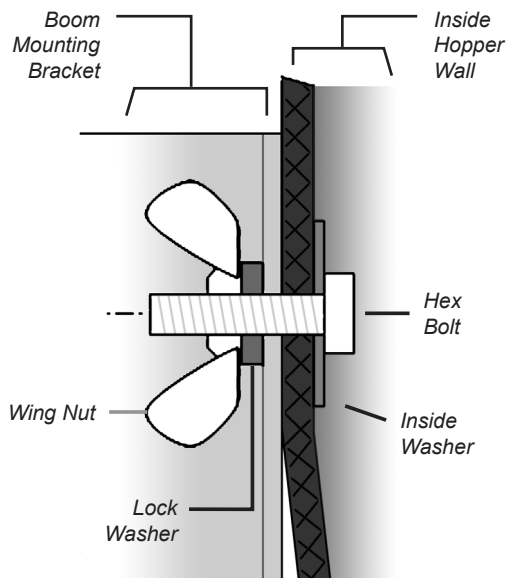
Assembly

- Using the boom support brackets (A) as a template: Drill through the mounting openings, creating two 1/4 inch diameter holes in the hopper.



Place the 1-1/2 inch diameter washers on the inside of the hopper wall and insert the 1/4-20 hex head bolts in the holes. The bolt heads should be inside the hopper. They should be snug and will need to be screwed into the holes. The front face of the hopper will not be 100% flush with the boom mounting brackets.

NOTE: Do not over-tighten the wingnut. The small lockwashers and wingnuts are used to secure the boom while in use. See illustration below

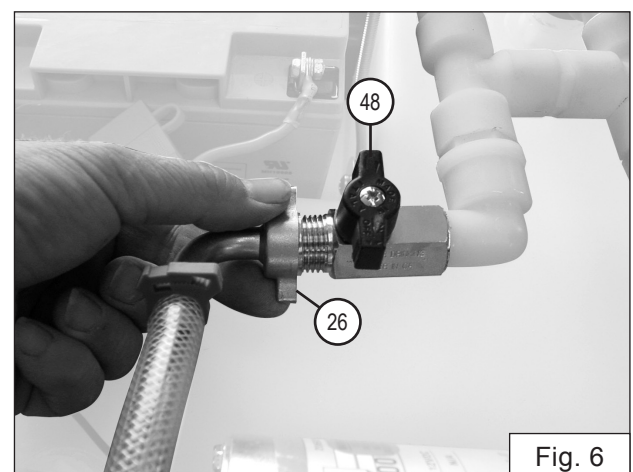


- Clean all debris from the spreader hopper.

Place the empty tank assembly (32) in your spreader hopper with the battery mounted toward the rear.

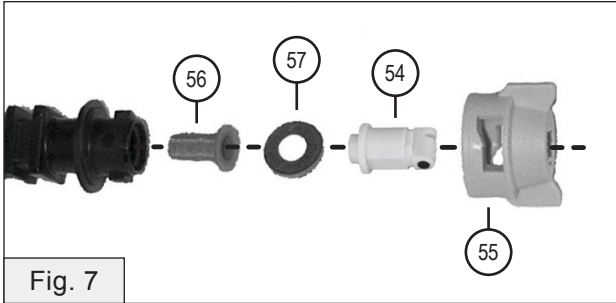


- Hook up the boom hose wingnut (48) to the boom line valve (26).

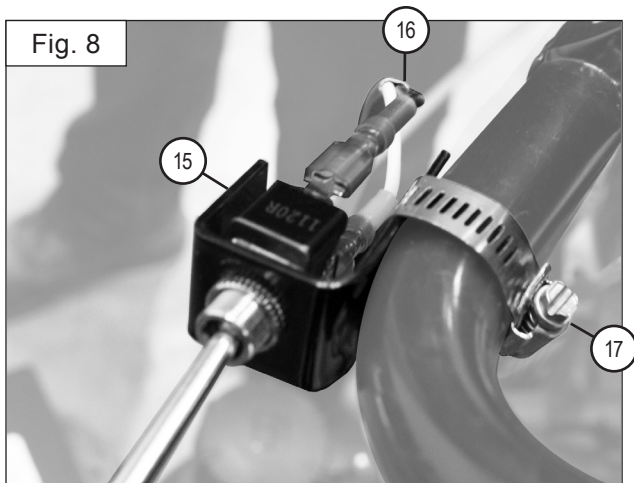


Assembly

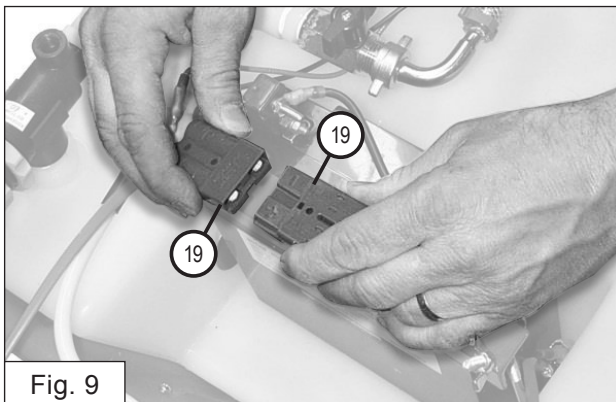
7. Install the sprayer nozzles (54), screens (56), washers (57) and caps (55).



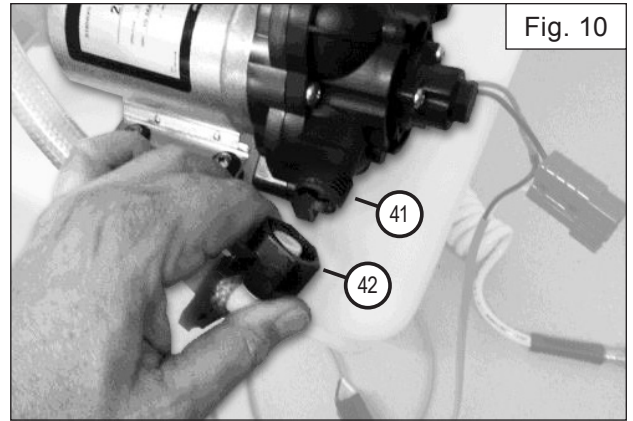
8. Install the handle thumb switch (15) with a screw clamp (17). Plug in the switch wiring (16).



9. Install the pump wiring assembly clips to the switch spades and connect the battery wiring assembly (19).



10. Connect swivel elbow fitting (42) to the pump inlet port (41).

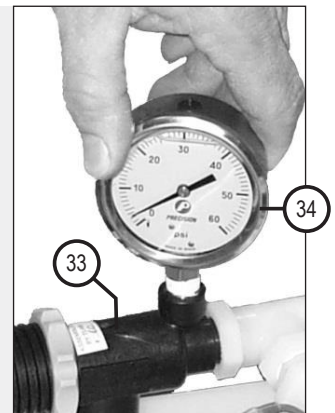


9. Install the pressure gauge (34) and filter assembly (44).

CAUTION!

Screw in the gauge hand-tight, with only sufficient force to prevent leaking.

Overtightening the gauge can break the regulator housing (33).



Insert the filter and seal as seen here.

Secure by threading the filter cover in place.



Assembly is complete.

▲ READ BEFORE USING

GENERAL OPERATION & MAINTENANCE

The sprayer pump is turned on and off by the thumb switch mounted on the handlebar of the spreader. Each dripless nozzle body has a special shut-off cap. The nozzle body requires 5 psi of system pressure to open, thus keeping the nozzles from dripping when the pump is off. The nozzles can be completely shut off by turning the cap clockwise. The operator can turn off individual nozzles as needed. The hand spray wand is activated by closing the boom line valve (ball valve on top of the tank) to turn off flow to the boom. To drain the tank of unused liquids, remove the spray tip from the wand and pump the remaining liquid into the proper receptacle.

- Clean pump filter daily.
- Clean tip screens regularly.
- Prevent from freezing.
- Adjust hinge lock nut tension as necessary.
- Flush with water after each use.
- Lubricate hinges with grease.



INITIAL START-UP & PRESSURE TESTING

1. Turn the pressure regulator knob counter-clockwise all the way.
2. Put about one gallon of water in the tank for testing.
3. Be sure that the spray line valve is turned off.
4. Turn on the handlebar thumb switch. You should hear the pump running and see water moving through the hoses.
5. Slowly turn the pressure regulator knob clockwise to increase the pressure. You should notice movement of the needle on the pressure gauge. Adjust the pressure to 30 psi for testing.
6. With the spray wand assembled, operate the trigger valve and check it for leaks. Note the trigger lock. Also adjust the nozzle and angle adapter orientation to the desired position.
7. Turn off the switch. Turn on the boom line valve and all four caps on the top of each boom nozzle body.
8. Turn on the switch and observe the spray pattern from each boom nozzle. Check the entire boom assembly for leaks.
9. Flush out the water and antifreeze. Once the unit has been pressure tested and you are familiar with its operation, you can begin the calibration procedure.

▲ READ BEFORE USING

BATTERY RECHARGING

The SPYDSB-9G's battery is a sealed, maintenance-free 12-volt battery.

Charging at a low rate (3 amp max.) with an automotive quality battery charger will extend battery life.

A 110-volt powered plug-in battery charger is available as an optional accessory to recharge the battery when not in use. The battery can also be recharged by the service truck's charging system by using the optional vehicle charging kit.

NOTE: A charger is not included in this kit, however, the following optional accessories are available:

KSP18-TCG:
12-Volt Truck Charger

KSP18-C12G:
120V/60Hz US/CAN Mains 12-Volt Charger

Please scan this QR code or visit our website (spyker.com) for additional info:

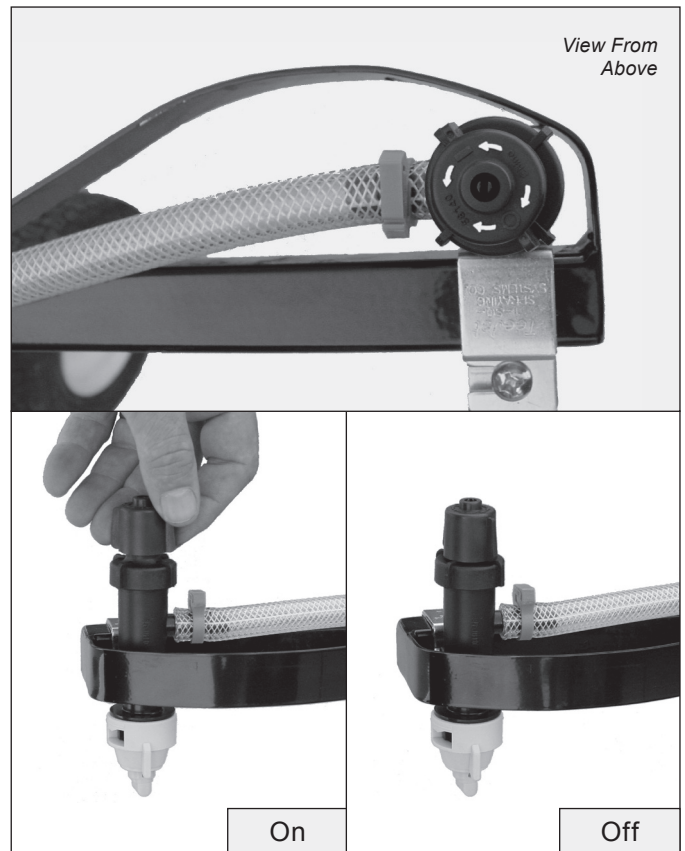


SPRAY NOZZLE SETTINGS

The SPYDSB-9G is equipped with dripless nozzle bodies and special shut-off caps.

Each nozzle body requires 5 psi of system pressure to open. *This keeps the nozzles from dripping when the pump is turned off.*

The nozzle bodies can be completely shut off by turning the cap clockwise, as shown. *This allows the operator to turn off individual nozzles when spraying with less than the full boom width is desired.*



⚠ READ BEFORE USING

CALIBRATION

The SPYDSB-9G is equipped with a Hypro DeflecTip wide-angle flat flood nozzle. The table below will serve as a reference for application rates. A working pressure of 15-20 psi will provide adequate coverage. The nozzle should be adjusted to provide a 60-65 inch spray width with a 4-6 inch overlap of the previous spray pass.

Hypro Nozzle Number	Pressure PSI	Capacity GPM	Gallons per 1000 Sq. Ft.			
			2 mph	3 mph	4 mph	5 mph
30DT7.5	10	0.8	0.9	0.6	0.4	0.3
	15	0.9	1.0	0.7	0.5	0.4
	20	1.1	1.2	0.8	0.6	0.5
	30	1.3	1.5	1.0	0.7	0.6

Confirming Application Rate -----

Because walking speeds vary, it is always best to perform a field test to confirm the application rate. The procedure is simple:

1. Measure an area at least 10,000 square feet.
2. Fill the tank with water.
3. Spray the measured area at 20 psi and at a comfortable sustainable walking speed.
4. Refill the tank from a calibrated container keeping track of the amount needed to refill the tank.
5. Divide the number of gallons used by the square footage of the area sprayed (*Expressed in 1000 square foot increments*).
6. Since the tank holds 9 gallons, divide 9 by the result to obtain the expected coverage per tank full.

Example:

4.5 gallons used
10,000 square feet sprayed

4.5 gallons / 10
= **0.45** gallons / 1,000 square ft.

9 gallons / **0.45** = **20**

The capacity is 9 gallons, so in this example a full tank should cover 20,000 square feet.

Troubleshooting

READ BEFORE USING

Problem	Possible Cause	Solution
Pump runs, but little or no flow	Battery drained	Recharge battery
	Tank empty	Refill tank
	Filter clogged	Clean filter screen
	Filter bowl not on tight	Tighten filter
	Filter gasket faulty or missing	Check / Replace gasket
	Broken fitting or hose	Repair as necessary
	Pump needs repair	Repair as necessary
	Plugged intake line	Remove obstruction
	Pump has lost prime	Re-prime the pump by backing the Pressure Regulator all the way out.
Pump will not turn on	Battery dead	Recharge battery
	Loose or faulty connection	Repair as necessary
	Faulty switch	Repair as necessary
Not all nozzles spraying	Caps on nozzle bodies turned off	Turn all caps to the ON position
	Nozzle screen is plugged	Clean all nozzle screens

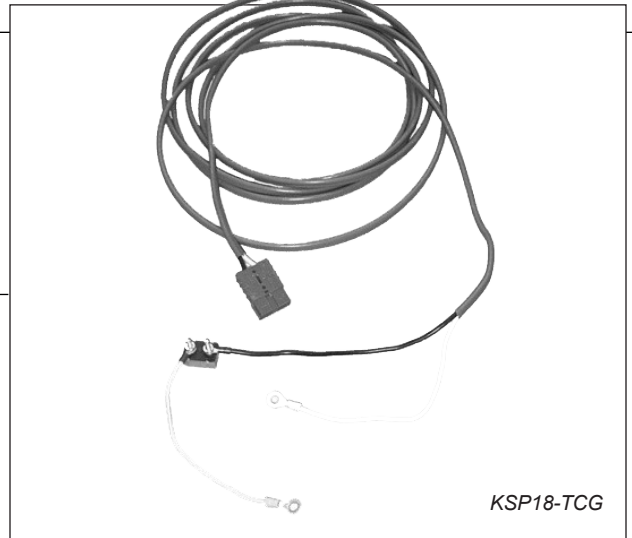
Accessories

SPREADER-MATE TRUCK CHARGER

KSP18-TCG

The charger allows the sprayer battery to be recharged from a truck charging system in between jobs.

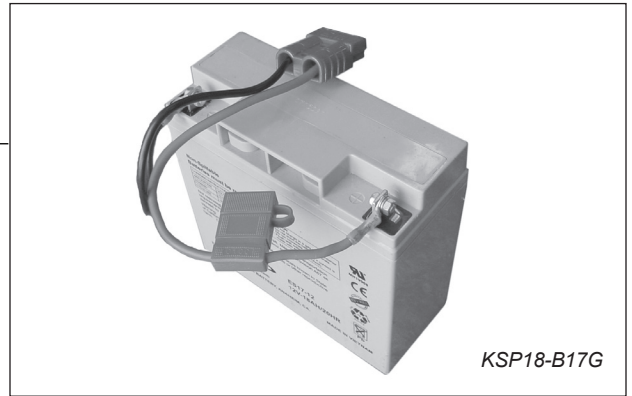
Included is 20 feet of 10-gauge x 2 wire, 40 amp circuit breaker, battery wire connectors, and a quick-connect modular plug for the battery.



SPARE SPREADER-MATE BATTERY

KSP18-B17G

One battery can be charging while another battery is in use. The spare battery comes with battery wire connectors, fuse assembly and a quick-connect modular plug.



ACCUMATE CHARGER

KSP18-C12G

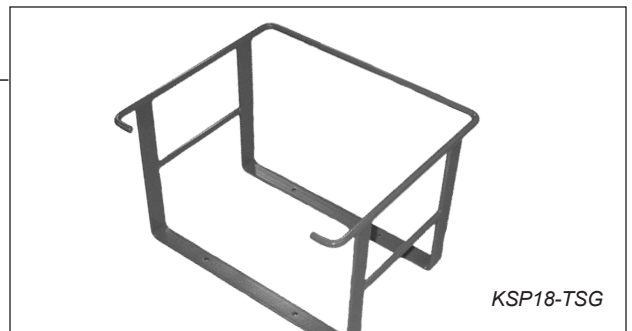
110-Volt powered plug-in charger for overnight recharging. This is a top quality charger designed specifically for AGM batteries.



TRUCK STAND

KSP18-TSG

This rugged steel frame mounts easily to the truck securing the sprayer tank assembly when not in use.





WARRANTY

1 YEAR LIMITED WARRANTY

This is warranted to the original purchaser only. Spyker will replace parts with defects in materials and workmanship, for a period of one year from the date of purchase.

The battery and the pump elastomers, which are considered normal wear items, carry a 90-day warranty against defects in materials and workmanship.

Spyker Spreaders will not be liable for any loss, damage or expense including, but not limited to, consequential or incidental damages, arising from the operation, condition or use of the item. The sole and exclusive remedy against Spyker Spreaders being the replacement of the defective parts. This warranty gives you specific legal rights, and you may also have other rights which vary from state to state.

This express warranty, which is applicable only to the original purchase, is in lieu of and excludes all other warranties, whether expressed or implied by operation of law or otherwise, including any warranty of merchantability or fitness for particular purpose.

SPYKER SPREADERS
Jeffersonville, IN 47130 USA
Phone: 800.972.6130
www.spyker.com