



OPERATOR'S MANUAL

Single Nozzle SPYDSS-9G Drop-In Sprayer



Spyker Spreaders

Contact us at 800.972.6130
www.spyker.com

⚠ IMPORTANT

**This manual contains information for the safety of persons and property.
Read it carefully before assembly and operation of the equipment!**

TABLE OF CONTENTS

Safety 2

Parts 3-7

Assembly 8-9

Use and Care

 Operation & Maintenance 10

 Battery Recharging 10

 Initial Start-Up & Pressure 10

 Calibration 11

 Troubleshooting 12


 Accessories 13

Warranty 14

OPERATE SAFELY

Read Before Using:

Pesticides can cause personal injury and harm the environment when used improperly. Be sure to follow label recommendations concerning safety and disposal.

	<i>Observe all safety precautions including wearing of protective clothing and equipment.</i>
---	---

COMPATIBILITY

The SPYDSS-9G is designed to fit the following spreaders:

LESCO	<ul style="list-style-type: none"> • 101186 • 105821 • HPS Chariot
--------------	---

SPYKER	<ul style="list-style-type: none"> • S60-12020 • S100-12011
---------------	---

SET-UP PROCEDURE

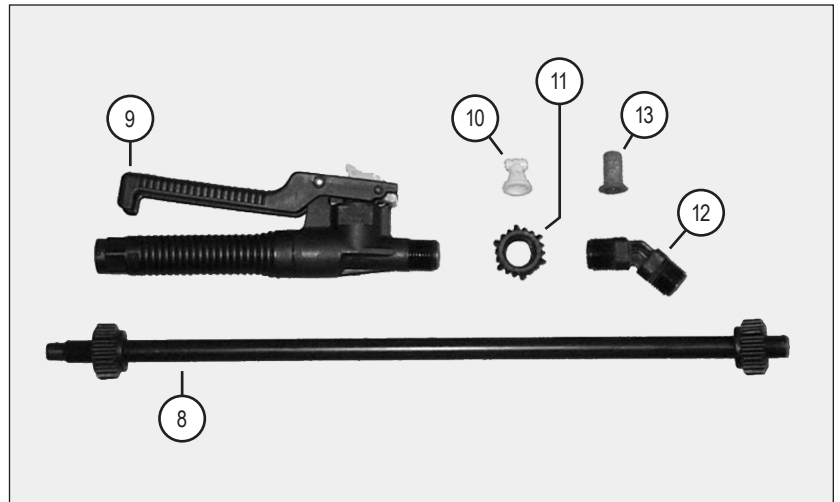
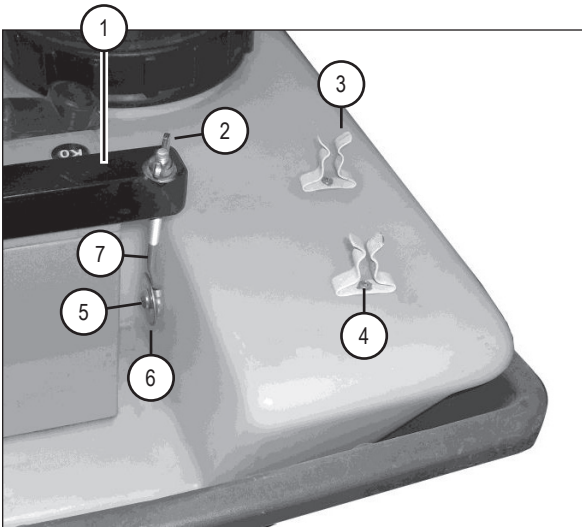
The SPYDSS-9G was pressure tested prior to shipment. Some components were disassembled for packaging and shipment. The basic set-up procedure is as follows:

- Remove all contents from inside the tank.
- Remove all contents from the box.
- Report any missing or damaged items to your dealer immediately.

DO NOT RETURN PRODUCT IF YOU ARE MISSING PARTS. PLEASE CALL: 1 (800) 972-6130

BATTERY AND SPRAY WAND MOUNTING HARDWARE

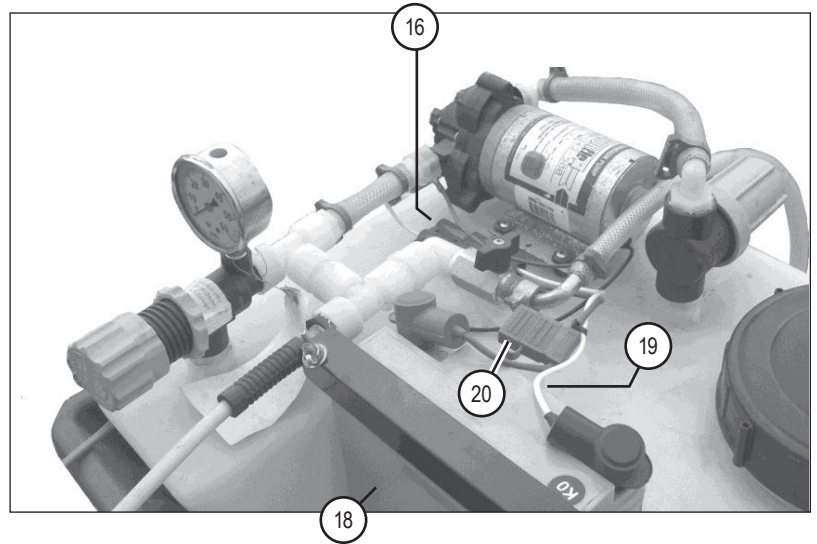
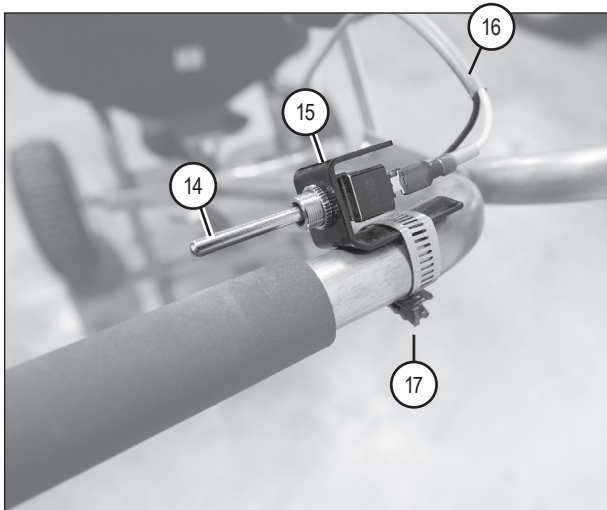
SPRAYER HANDLE WAND PARTS



No.	Part #	Qty	Description
1	1019634	1	Angle Bracket
2	1019635	2	Wing Nut
3	1019636	2	Mounting Clip
4	1019637	2	Screw #6 x 1/2"
5	1019638	2	Pan Head Screw
6	1019639	2	Fender Washer
7	1019640	2	Eye Bolt
	1019641*	2	Eye Bolt *Optional Alternate (H.C. Battery)
8	1019691	1	Extension Wand
9	1019692	1	Trigger Jet Valve
10	1019693	1	Turbo TeeJet Nozzle Tip
11	1019694	1	Cap Nut
12	1019695	1	Angle Adapter
13	1019654	1	Strainer w/ Check Valve



ELECTRICAL COMPONENTS



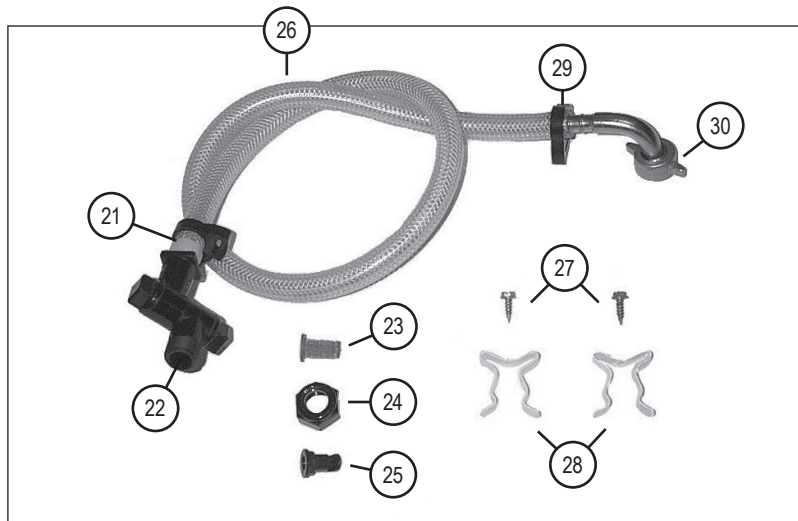
No.	Part #	Qty	Description
14	1019642	1	Toggle Switch
15	1019643	1	Switch Bracket
16	1019644	1	Pump / Switch Wiring Assembly
17	1019645	1	Screw Clamp
18	1019646	1	Battery
	1019647	1	Battery <i>*High Capacity</i>
19	1019648	1	Battery Wiring Assembly
	1019649*	1	Battery Wiring Assembly <i>*Optional H.C. Battery</i>
20	1019650	1	Fuse Holder
N/A	1019651	1	20 Amp Fuse



Part Explosions

DO NOT RETURN PRODUCT IF YOU ARE MISSING PARTS. PLEASE CALL: 1 (800) 972-6130

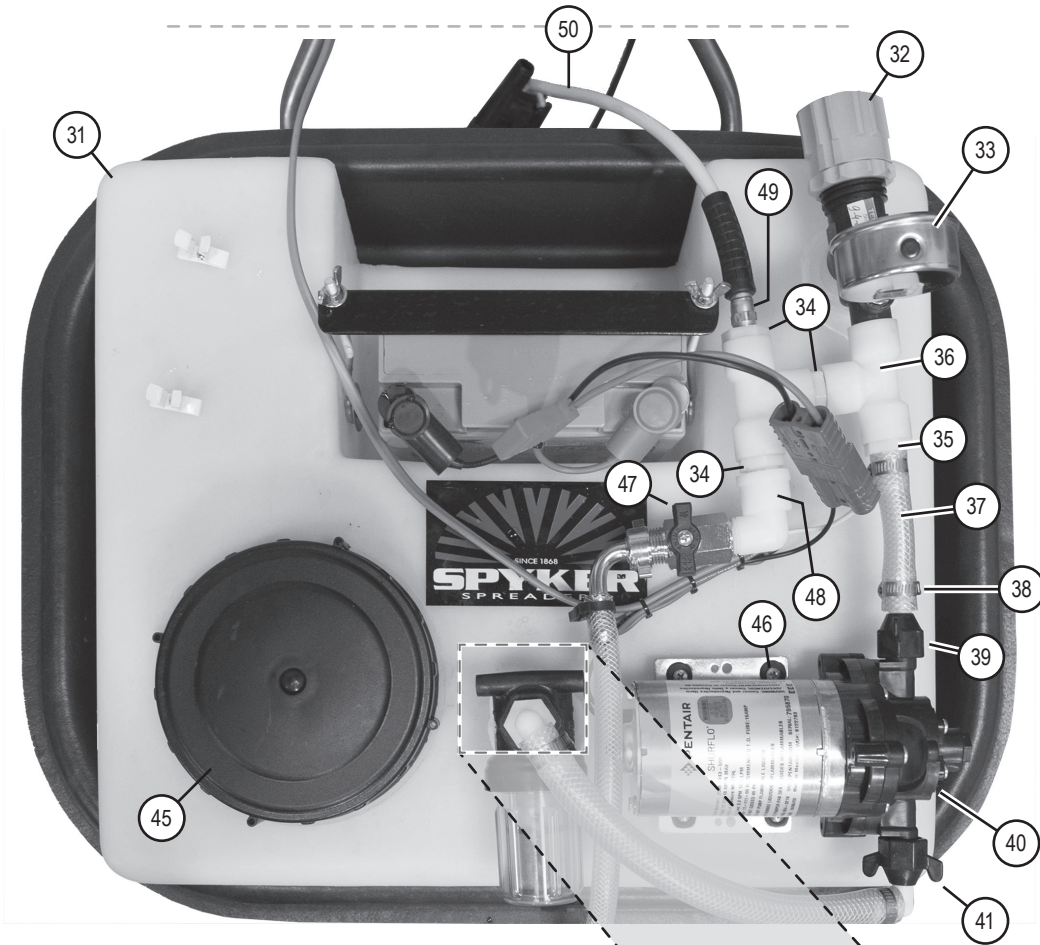
NOZZLE ASSEMBLY



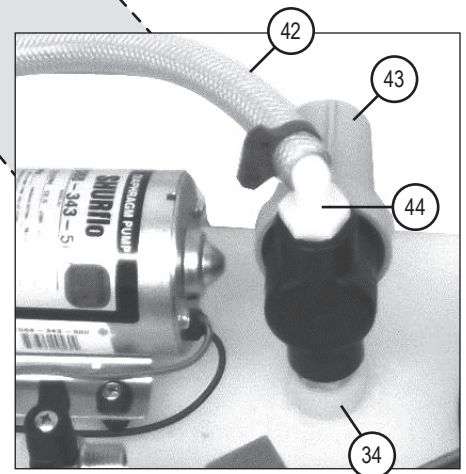
No.	Part #	Qty	Description
21	1019652	1	Hose Barb, 1/4 NPT x 3/8 Male
22	1019653	1	Single Swivel Adapter
23	1019654	1	Strainer w/ Check Valve
24	1019655	1	Cap
25	1019656	1	Wide Angle Spray Tip
26	1019657	1	Clearbraided Hose 3/8" ID x 20"
27	1019637	2	Screw #6 x 1/2"
28	1019636	2	Spring Clip
29	1019660	2	Easy Seal Clamp For 3/8" ID Hose
30	1019661	1	3/8" Wing Nut Barb Steel
51	B-6395	1	Cable Tie <i>*Not Illustrated here</i>



TANK & PLUMBING



No.	Part #	Qty	Description
31	1019662	1	Poly Tank, 9 Gallon
32	1019663	1	Regulator
33	1019664	1	0-60 SS Liquid Filled Gauge
34	1019665	4	1/2" Close Nipple Hex
35	1019666	4	1/2" MPT x 1/2" Barb <i>(NOTE: Two of the four Barbs are not visible in this photo as they are located inside the tank)</i>
36	1019668	2	1/2" Female Tee



(Part list continues on page 7)

Part Explosions

DO NOT RETURN PRODUCT IF YOU ARE MISSING PARTS. PLEASE CALL: 1 (800) 972-6130

TANK & PLUMBING

No.	Part #	Qty	Description
37	1019669	1	Clear Braid Hose; 1/2" ID x 3.5"
38	1019670	4	Easy Seal Clamp; for 1/2" ID Hose
39	1019671	1	1/2" FPT x 1/2" Barb Straight Swivel
	1019672	1	1/2" ORS x 1/2" Barb Straight *Optional Part
40	1019673	1	Shurflo Pump 3 Gpm
	1019674	1	FloJet Pump, 5 GPM *Optional Part
41	1019675	1	1/2" FPT x 1/2" Barb Elbow Swivel
	1019676	1	1/2" ORS x 1/2" Barb Elbow *Optional Part
42	1019677	1	Clearbraided Hose; 1/2" ID x 10"
43	1019713	1	Banjo Strainer; 1/2" 50 Mesh, with Cover
44	1019681	1	Barb Elbow; 1/2" MPT x 1/2" Barb Elbow
45	1019682	1	6" Female Tank Lid; with Vent
46	1019683	4	Machine Screw; SS, # 10-24 x 1"
47	1019684	1	Ball Valve; 1/2" FPT x 1/2" MPT
48	1019685	1	Street Ell; 1/2"
49	1019686	1	NPT Reducer Bushing; 1/2" x 1/4"
50	1019687	1	Retractable Hose; 1/4" x 10'

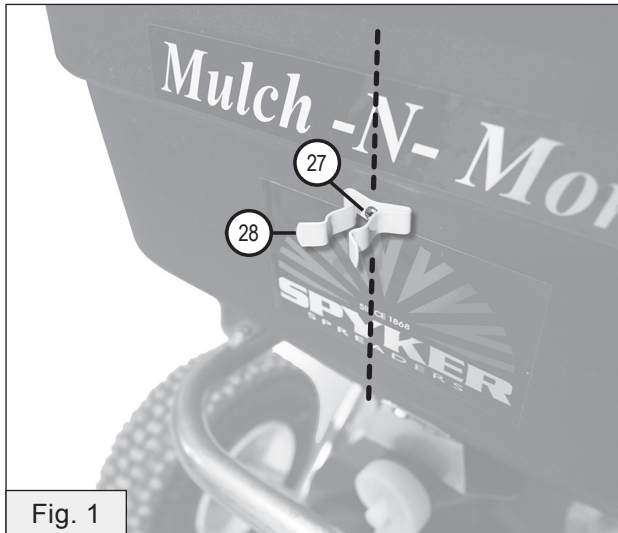


Not Illustrated:

N/A	1019679	1	50 Mesh Screen
N/A	1019680	1	Strainer Bowl Gasket
N/A	1019688	1	Hose 1/2" ID x 15" (Inside Tank, Suction Line)
N/A	1019689	1	Hose 1/2" ID x 16" (Inside Tank, Return Line)
N/A	1019690	1	Screw Clamp, SS (Inside Tank, Suction Line)

Assembly

1. Attach the spring mounting clips (28) to the hopper near the vertical centerline with the supplied screws (27).

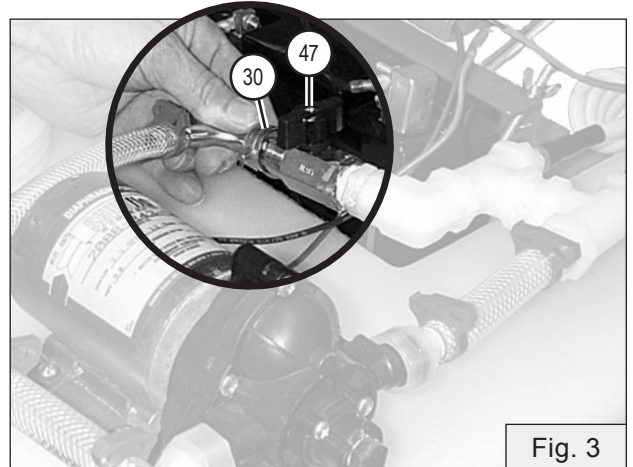


2. Clean all debris from the spreader hopper.

Place the empty tank assembly (31) in the spreader hopper. *NOTE: Face the battery mounted toward the rear.*



3. Attach the spray hose wingnut (30) to the ball valve (47).

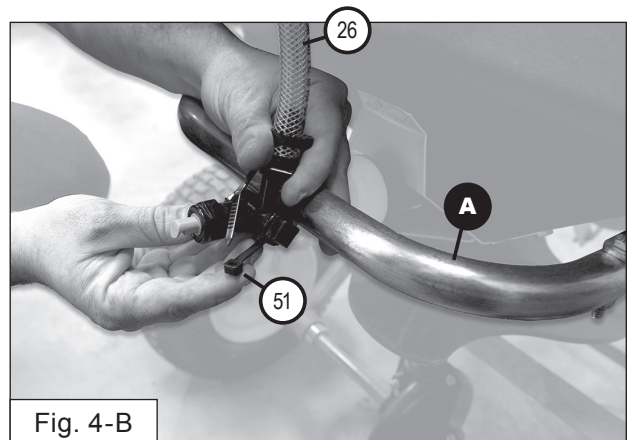
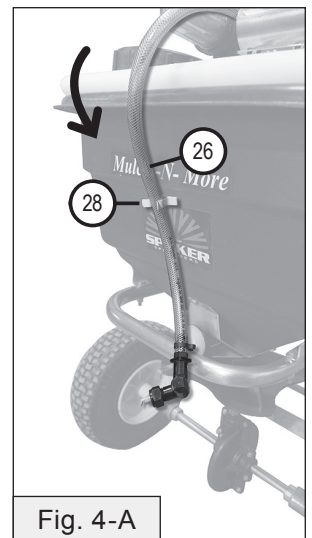


4. Snap the hose (26) into the clips (28) with the nozzle facing forward.

Referencing the photo below:

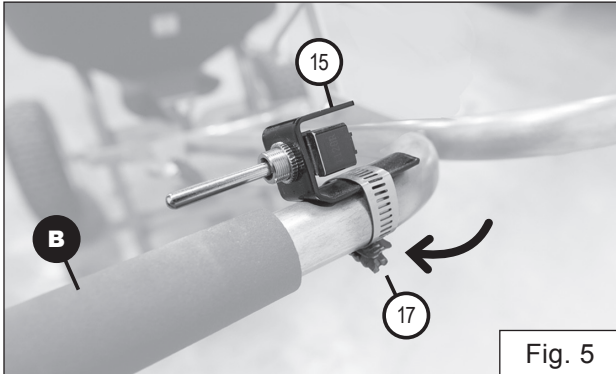
Align the nozzle-end of the hose (26) against the spreader frame (A). Secure with a cable tie (51).

NOTE: The nozzle must be facing forward.

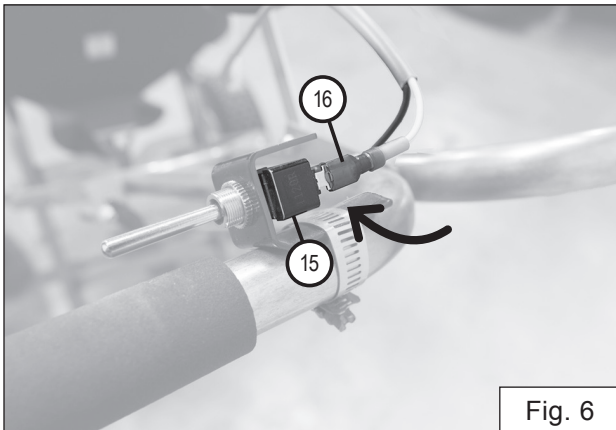


Assembly

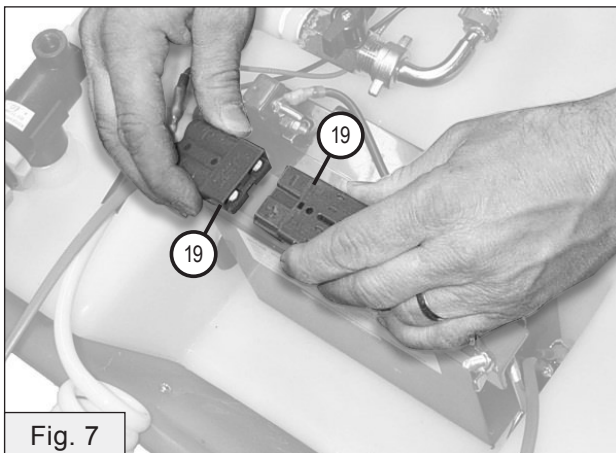
- Align the thumb switch (15) with the handle (B) and attach with a screw clamp (17).



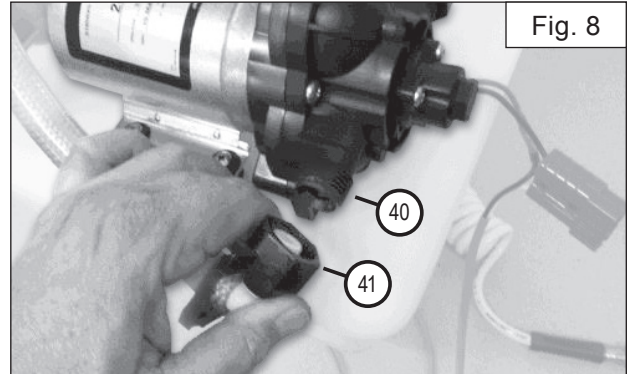
- Install the pump wiring assembly clips (16) to the thumb switch spades (15).



- Connect the battery wiring assembly (19).



- Connect swivel elbow fitting (41) to the pump inlet port (40).



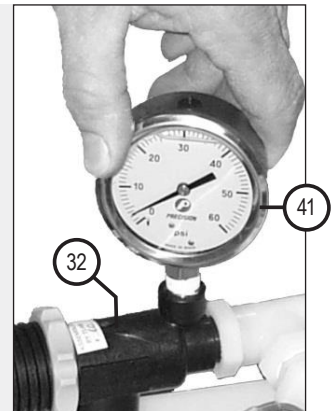
- Install the pressure gauge (41) and filter assembly (43).

CAUTION!

Screw in the gauge hand-tight, with only sufficient force to prevent leaking.

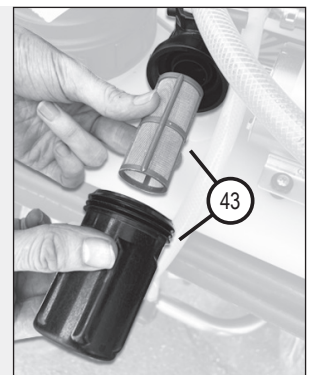
Overtightening the gauge can break the regulator housing (32).

Fig. 9



Insert the filter and seal as seen here.
Secure by threading the filter cover in place.

Fig. 10



Assembly is complete.

▲ READ BEFORE USING

GENERAL OPERATION & MAINTENANCE

The sprayer pump is turned on and off by the thumb switch mounted on the handlebar of the spreader. The hand spray wand is activated by closing the ball valve on top of the tank to turn off flow to the front nozzle.

To drain the tank of unused liquids, remove the spray tip from the wand and pump the remaining liquid into the proper receptacle.

- Clean pump filter daily.
- Prevent from freezing.
- Clean tip screen regularly.
- Flush with water after each use.

BATTERY RECHARGING

The SPYDSS-9G's battery is a sealed, maintenance-free 12-volt battery.

Charging at a low rate (3 amp max.) with an automotive quality battery charger will extend battery life.

A 110-volt powered plug-in battery charger is available as an optional accessory to recharge the battery when not in use. The battery can also be recharged by the service truck's charging system by using the optional vehicle charging kit.

INITIAL START-UP & PRESSURE TESTING

1. Turn the pressure regulator knob counter-clockwise all the way.
2. Put about one gallon of water in the tank for testing.
3. Be sure that the spray line valve is turned off.
4. Turn on the handlebar thumb switch. You should hear the pump running and see water moving through the hoses.
5. Slowly turn the pressure regulator knob clockwise to increase the pressure. You should notice movement of the needle on the pressure gauge. Adjust the pressure to 30 psi for testing.
6. With the spray wand assembled, operate the trigger valve and check it for leaks. Note the trigger lock. Also adjust the nozzle and angle adapter orientation to the desired position.
7. Turn off the switch. Turn on the spray line valve.
8. Turn on the switch and observe the spray pattern from the spray nozzle. Check the hose assembly for leaks.
9. Once the unit has been pressure tested and you are familiar with its operation, you can begin the calibration procedure.

NOTE: A charger is not included in this kit, however, the following optional accessories are available:

KSP18-TCG:
12-Volt Truck Charger

KSP18-C12G:
120V/60Hz US/CAN Mains 12-Volt Charger

*Please scan this
QR code or visit our
website (spyker.com)
for additional info:*



▲ READ BEFORE USING

CALIBRATION

The SPYDSS-9G is equipped with a Hypro DeflecTip wide-angle flat flood nozzle. The table below will serve as a reference for application rates. A working pressure of 15-20 psi will provide adequate coverage. The nozzle should be adjusted to provide a 60-65 inch spray width with a 4-6 inch overlap of the previous spray pass.

Hypro Nozzle Number	Pressure PSI	Capacity GPM	Gallons per 1000 Sq. Ft.			
			2 mph	3 mph	4 mph	5 mph
30DT7.5	10	0.8	0.9	0.6	0.4	0.3
	15	0.9	1.0	0.7	0.5	0.4
	20	1.1	1.2	0.8	0.6	0.5
	30	1.3	1.5	1.0	0.7	0.6

Confirming Application Rate -----

Because walking speeds vary, it is always best to perform a field test to confirm the application rate. The procedure is simple:

1. Measure an area at least 10,000 square feet.
2. Fill the tank with water.
3. Spray the measured area at 20 psi and at a comfortable sustainable walking speed.
4. Refill the tank from a calibrated container keeping track of the amount needed to refill the tank.
5. Divide the number of gallons used by the square footage of the area sprayed (*Expressed in 1000 square foot increments*).
6. Since the tank holds 9 gallons, divide 9 by the result to obtain the expected coverage per tank full.

Example:

4.5 gallons used
10,000 square feet sprayed

4.5 gallons / 10
= **0.45** gallons / 1,000 square ft.

9 gallons / **0.45** = **20**

The capacity is 9 gallons, so in this example a full tank should cover 20,000 square feet.

Troubleshooting

READ BEFORE USING

Problem	Possible Cause	Solution
Pump runs, but little or no flow	Battery drained	Recharge battery
	Tank empty	Refill tank
	Filter clogged	Clean filter screen
	Filter bowl not on tight	Tighten filter
	Filter gasket faulty or missing	Check / Replace gasket
	Broken fitting or hose	Repair as necessary
	Pump needs repair	Repair as necessary
	Plugged intake line	Remove obstruction
	Pump has lost prime	Re-prime the pump by backing the Pressure Regulator all the way out.
Pump will not turn on	Battery dead	Recharge battery
	Loose or faulty connection	Repair as necessary
	Faulty switch	Repair as necessary
Nozzle not spraying	Spray valve turned off	Turn valve on
	Nozzle screen is plugged	Clean nozzle screen

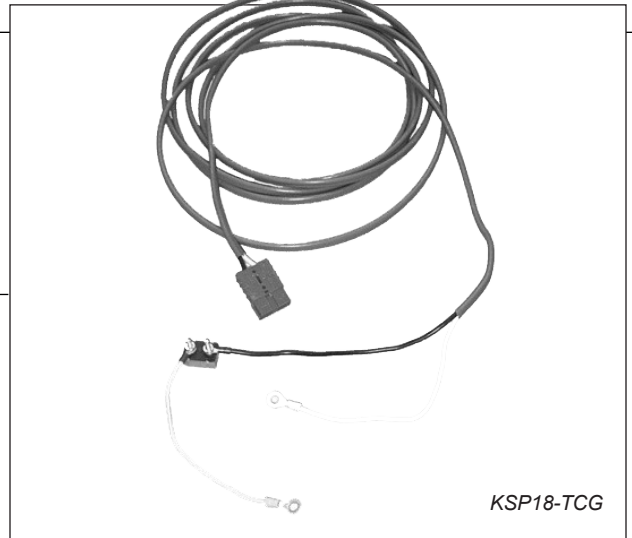
Accessories

SPREADER-MATE TRUCK CHARGER

KSP18-TCG

The charger allows the sprayer battery to be recharged from a truck charging system in between jobs.

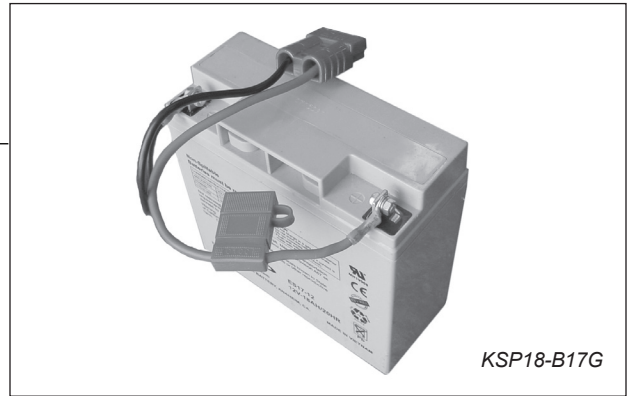
Included is 20 feet of 10-gauge x 2 wire, 40 amp circuit breaker, battery wire connectors, and a quick-connect modular plug for the battery.



SPARE SPREADER-MATE BATTERY

KSP18-B17G

One battery can be charging while another battery is in use. The spare battery comes with battery wire connectors, fuse assembly and a quick-connect modular plug.



ACCUMATE CHARGER

KSP18-C12G

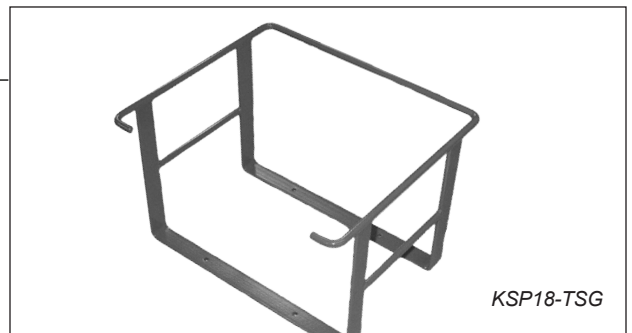
110-Volt powered plug-in charger for overnight recharging. This is a top quality charger designed specifically for AGM batteries.



TRUCK STAND

KSP18-TSG

This rugged steel frame mounts easily to the truck securing the sprayer tank assembly when not in use.





WARRANTY

1 YEAR LIMITED WARRANTY

This is warranted to the original purchaser only. Spyker will replace parts with defects in materials and workmanship, for a period of one year from the date of purchase.

The battery and the pump elastomers, which are considered normal wear items, carry a 90-day warranty against defects in materials and workmanship.

Spyker Spreaders will not be liable for any loss, damage or expense including, but not limited to, consequential or incidental damages, arising from the operation, condition or use of the item. The sole and exclusive remedy against Spyker Spreaders being the replacement of the defective parts. This warranty gives you specific legal rights, and you may also have other rights which vary from state to state.

This express warranty, which is applicable only to the original purchase, is in lieu of and excludes all other warranties, whether expressed or implied by operation of law or otherwise, including any warranty of merchantability or fitness for particular purpose.

SPYKER SPREADERS
Jeffersonville, IN 47130 USA
Phone: 800.972.6130
www.spyker.com